

HEATHFIELD & CO

PRODUCT SPECIFICATION SHEET

Wall Light | VITO MEDIUM DARK BRONZE

WALL LIGHT

Material: Metal
Finish shown: Dark Bronze
Code: WL-VITO-DBNZ-0000-MED

SWITCHING & PLUG

Hardwired

WEIGHT

0.9 kg approx.

LAMPING

1 x Warm White LED Strip - 5W w/ acrylic diffuser

FIXING NOTE

It is the buyer's responsibility to ensure that suitable fixings are used.

WARRANTY

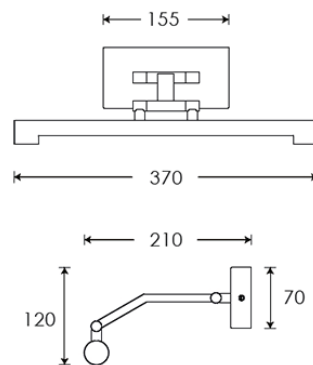
12 Months

FINISHING NOTE

All metalwork is handcrafted and may vary from piece to piece with slight variation in finish and detailing.

CLEANING INSTRUCTIONS

The finishes on this luminaire only require regular cleaning with a soft dry duster. Abrasive or chemical cleaners may harm the finish and should not be used. Shade to be dusted with a clean dry cloth.



Dimensions in mm and approximate
This product is adjustable

H&CO

Decorative lighting
for beautiful spaces

www.heathfield.co.uk | + 44 (0) 1732 350450 | sales@heathfield.co.uk
Unit 1, Priory Road, Tonbridge, Kent, TN9 2AF, United Kingdom